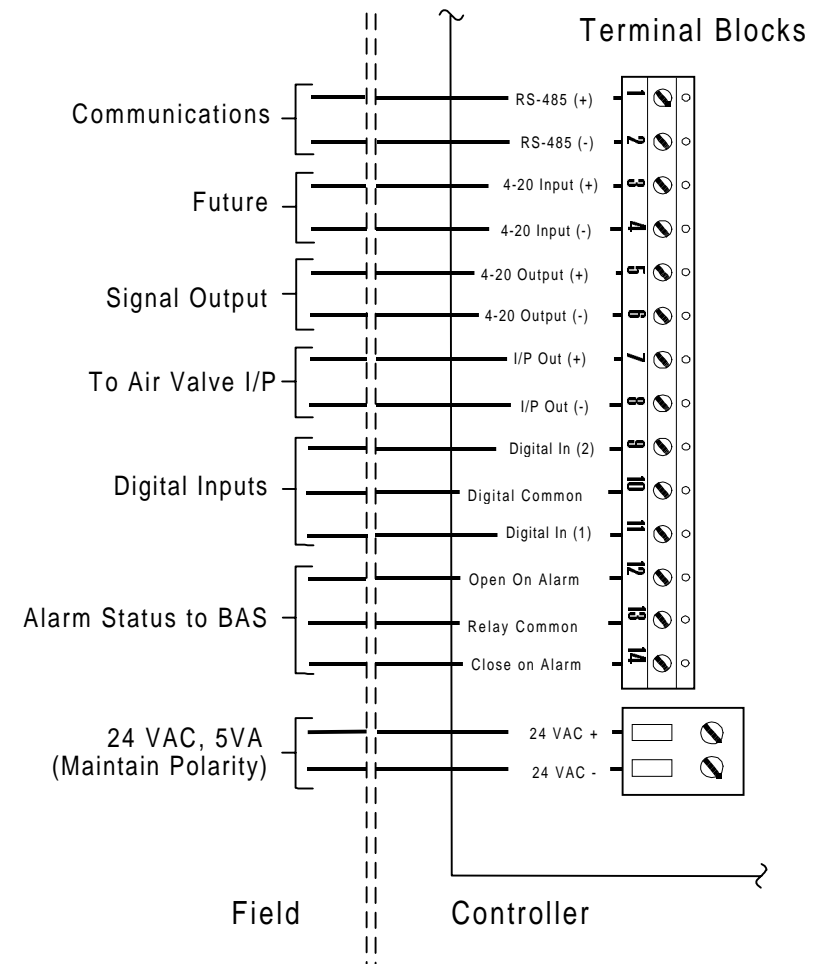
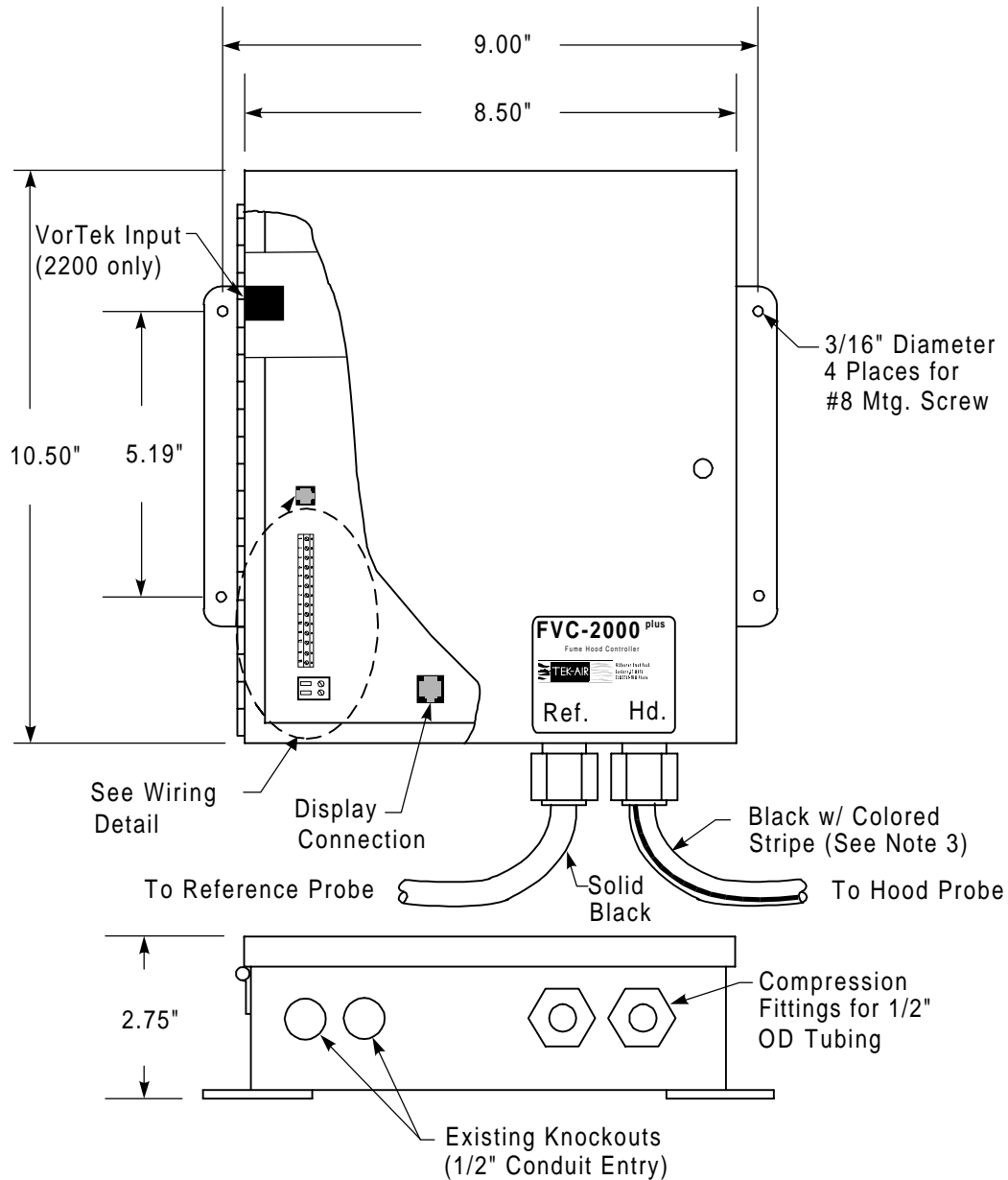


Wiring Detail



- Notes:
- External 24 VAC By Others.
 - Cabinet Description:
Rating: Nema 1
Construction: 18 ga. CRS.
Paint: Blue Enamel
 - 25 ft. Maximum Total Tube Length.



41 Eagle Road
Danbury, CT 06810
(203) 791-1400 Phone
(203) 798-6534 Fax

FVC-2100 & 2200
Fume Hood Controller

Mounting, Wiring
& Tubing Detail

REV:	DATE:	DRAWING #
		JOB NO:
		DRAWN BY: