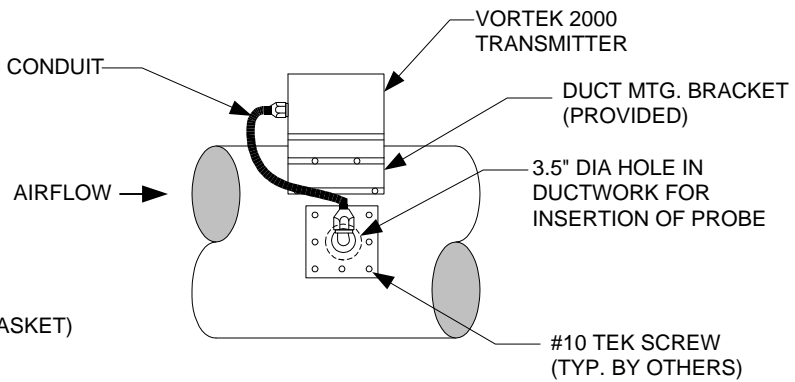


DUCT CROSS SECTION



MOUNTING INSERTION PROBE

NOTES:

1. INSTALL IN ACCORDANCE WITH AIRFLOW DIRECTION INDICATOR.

INSULATION REQUIREMENTS				
<input type="checkbox"/>	<input type="checkbox"/>	<input type="checkbox"/>	<input type="checkbox"/>	<input type="checkbox"/>
NONE	0.5 INCH	1 INCH	2 INCHES	3 INCHES

SELECTION OF MATERIALS FOR CONSTRUCTION			
<input type="checkbox"/>	<input type="checkbox"/>	<input type="checkbox"/>	<input type="checkbox"/>
ALUMINUM & ABS	CPVC & ABS	304 STAINLESS STEEL	HIGH. TEMP STEEL



ENGINEERING DEPARTMENT  
41 EAGLE ROAD  
DANBURY, CT 06810  
(203) 791-1400 PHONE  
(203) 798-6534 FAX

**VORTEK 2100**  
AIRFLOW MEASURING DEVICES

**INSTALLATION DRAWING**  
CIRCULAR DUCT INSERTION PROBE

REVISION: A

ECN:

DWG NO.:

REVISION DATE: 6/9/99

DRAWN BY: TLH

FILENAME: VT2100-1X1.VSD

JOB NO.: