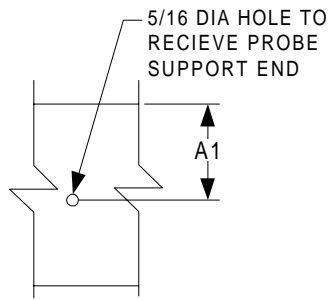
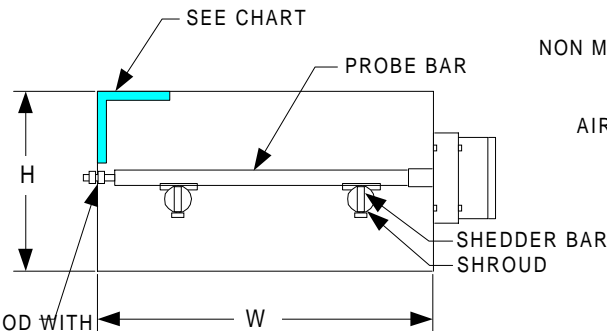


MOUNTING RECEIVING SIDE

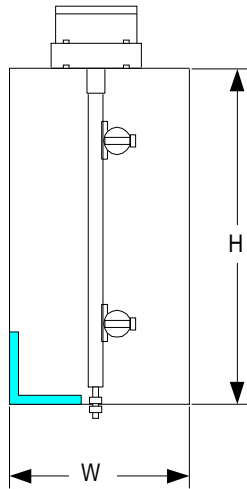


5/16 THREADED ROD WITH JAM NUTS (PROVIDED) SEE NOTE 2

DUCT CROSS SECTION MOUNTING ACROSS WIDTH



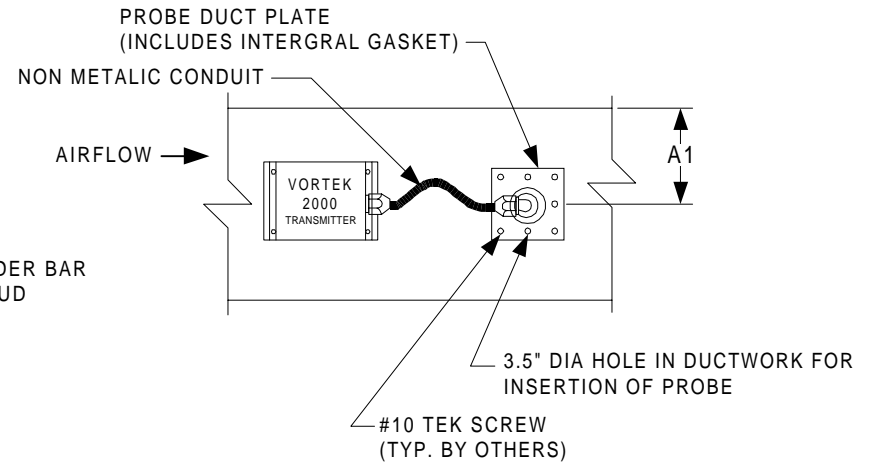
DUCT CROSS SECTION MOUNTING ACROSS HEIGHT



NOTES:

1. INSTALL IN ACCORDANCE WITH AIRFLOW DIRECTION INDICATOR.
2. PROBES 12" LONG OR LESS ARE CAPPED WITH NO STUDS OR NUTS PROVIDED. IN THIS CASE, NO (5/16") HOLE SHOULD BE DRILLED.

MOUNTING INSERTION SIDE



INSULATION REQUIREMENTS				
<input type="checkbox"/>	<input type="checkbox"/>	<input type="checkbox"/>	<input type="checkbox"/>	<input type="checkbox"/>
NONE	0.5 INCH	1 INCH	2 INCHES	3 INCHES

SELECTION OF MATERIALS FOR CONSTRUCTION			
<input type="checkbox"/>	<input type="checkbox"/>	<input type="checkbox"/>	<input type="checkbox"/>
ALUMINUM & ABS	CPVC & ABS	304 STAINLESS STEEL	HIGH. TEMP STEEL



ENGINEERING DEPARTMENT
41 EAGLE ROAD
DANBURY, CT 06810
(203) 791-1400 PHONE
(203) 798-6534 FAX

VORTEK 2000
AIRFLOW MEASURING DEVICES

INSTALLATION DRAWING
RECTANGULAR DUCT INSERTION PROBE

REVISION: A ECN:
REVISION DATE: 6/9/99
FILENAME: VT2200-1X2.VSD

DWG NO.:
DRAWN BY: TLH
JOB NO.: