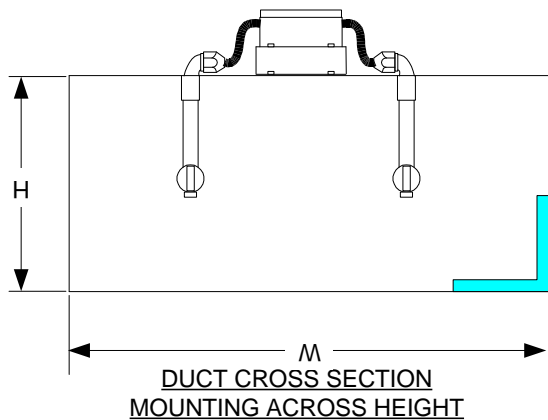
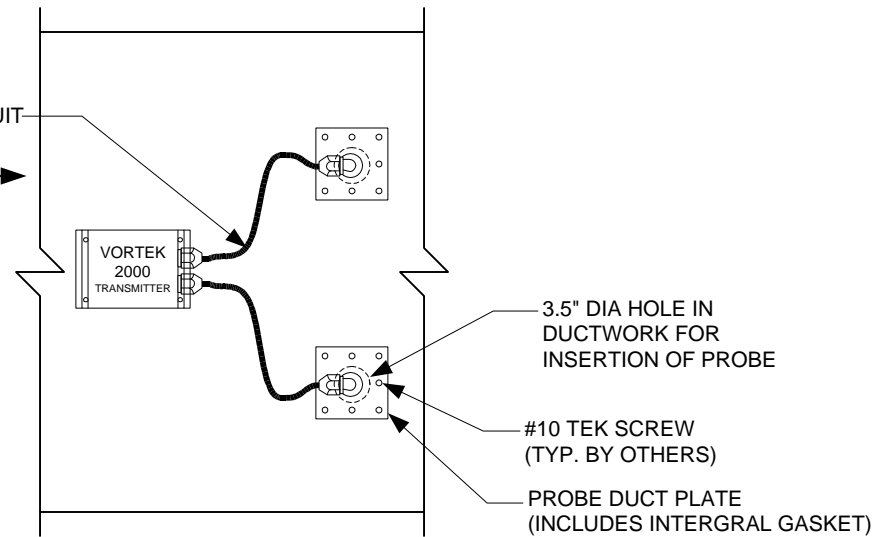


DUCT CROSS SECTION
MOUNTING ACROSS WIDTH



INSULATION REQUIREMENTS				
<input type="checkbox"/>	<input type="checkbox"/>	<input type="checkbox"/>	<input type="checkbox"/>	<input type="checkbox"/>
NONE	0.5 INCH	1 INCH	2 INCHES	3 INCHES

SELECTION OF MATERIALS FOR CONSTRUCTION			
<input type="checkbox"/>	<input type="checkbox"/>	<input type="checkbox"/>	<input type="checkbox"/>
ALUMINUM & ABS	CPVC & ABS	304 STAINLESS STEEL	HIGH. TEMP STEEL

NOTES:
1. INSTALL IN ACCORDANCE WITH AIRFLOW DIRECTION INDICATOR.



ENGINEERING DEPARTMENT
41 EAGLE ROAD
DANBURY, CT 06810
(203) 791-1400 PHONE
(203) 798-6534 FAX

VORTEK 2000
AIRFLOW MEASURING DEVICES

INSTALLATION DRAWING
RECTANGULAR DUCT INSERTION PROBE

REVISION: A

ECN:

DWG NO.:

REVISION DATE: 6/9/99

DRAWN BY:TLH

FILENAME:VT2200-1X1.VSD

JOB NO.: