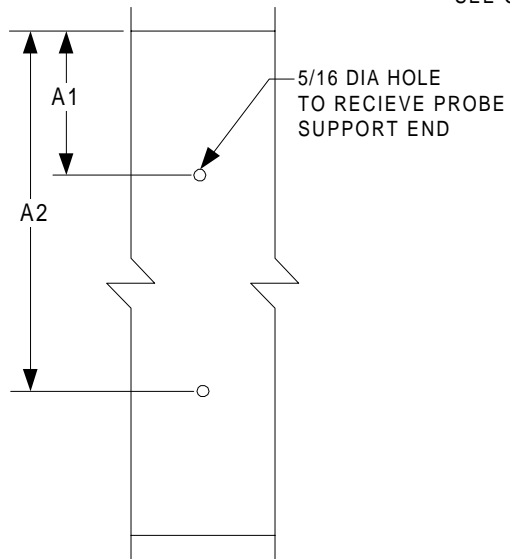
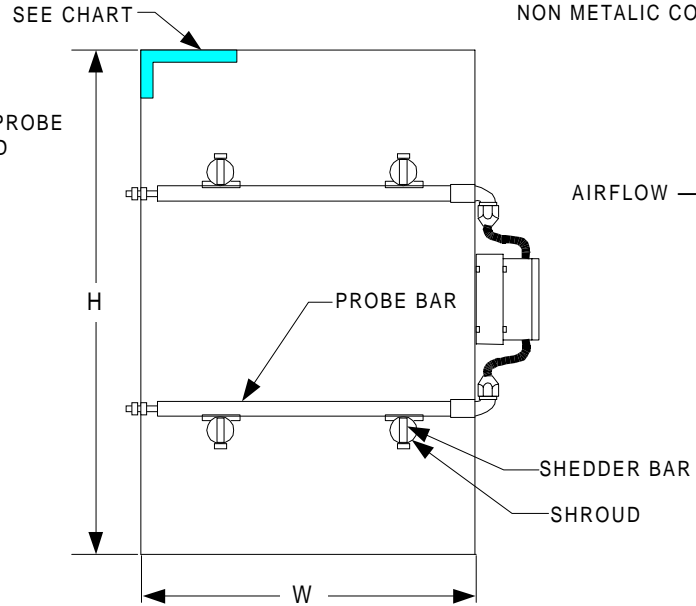


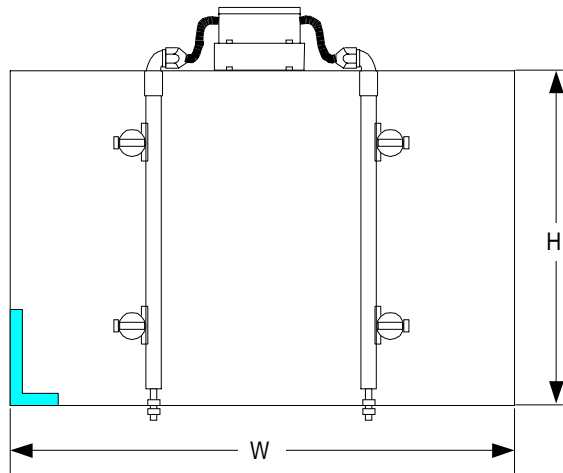
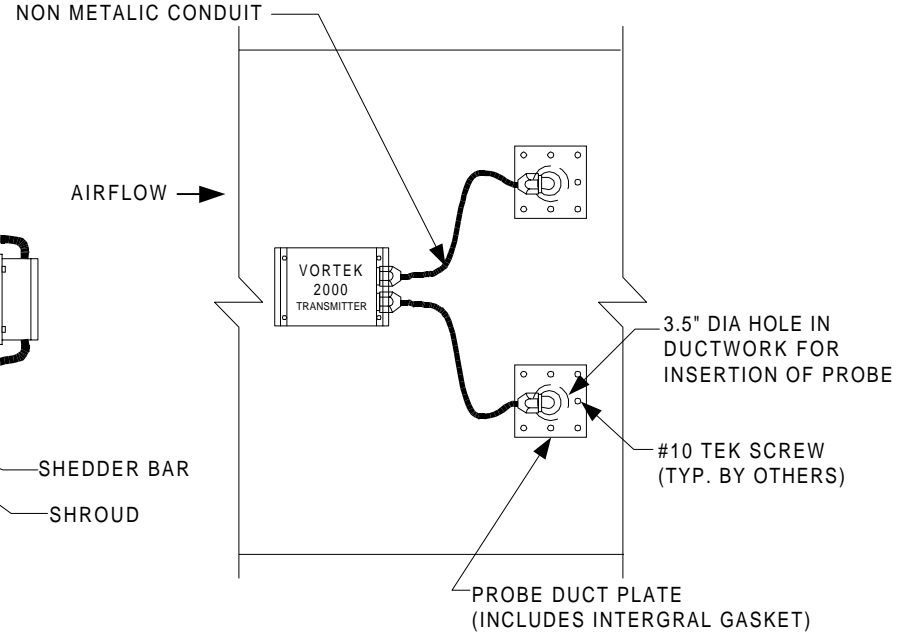
MOUNTING RECEIVING SIDE



DUCT CROSS SECTION MOUNTING ACROSS WIDTH



MOUNTING INSERTION SIDE



DUCT CROSS SECTION MOUNTING ACROSS WIDTH

NOTES:

1. INSTALL IN ACCORDANCE WITH AIRFLOW DIRECTION INDICATOR.
2. PROBES 12" LONG OR LESS ARE CAPPED WITH NO STUDS OR NUTS PROVIDED. IN THIS CASE, NO (5/16") HOLE SHOULD BE DRILLED.

INSULATION REQUIREMENTS

<input type="checkbox"/>	<input type="checkbox"/>	<input type="checkbox"/>	<input type="checkbox"/>	<input type="checkbox"/>
NONE	0.5 INCH	1 INCH	2 INCHES	3 INCHES

SELECTION OF MATERIALS FOR CONSTRUCTION

<input type="checkbox"/>	<input type="checkbox"/>	<input type="checkbox"/>	<input type="checkbox"/>
ALUMINUM & ABS	CPVC & ABS	304 STAINLESS STEEL	HIGH. TEMP STEEL



ENGINEERING DEPARTMENT
41 EAGLE ROAD
DANBURY, CT 06810
(203) 791-1400 PHONE
(203) 798-6534 FAX

VORTEK 2000
AIRFLOW MEASURING DEVICES

INSTALLATION DRAWING
RECTANGULAR DUCT INSERTION PROBE

REVISION: A

ECN:

DWG NO.:

REVISION DATE: 6/9/99

DRAWN BY:TLH

FILENAME:VT2200-1X1.VSD

JOB NO.: