

**INTERIOR VIEW OF TRANSMITTER**

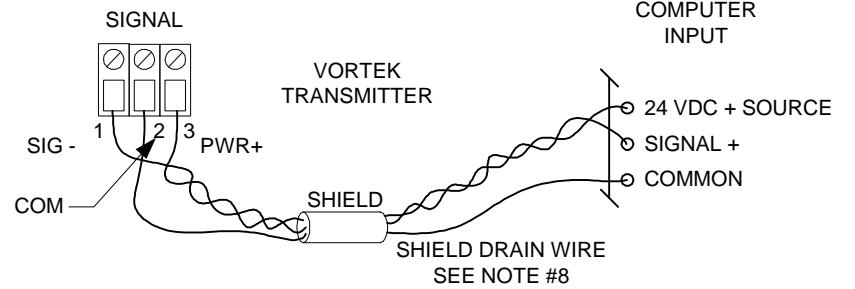
**NOTES:**

1. AC POLARITY MUST BE CONSISTANT FROM UNIT TO UNIT.
2. MOUNT TRANSMITTER ON VERTICAL SURFACE, WALL DUCT, ECT.
3. TRNASSMITTER IS DESIGNED FOR INDOOR MOUNTING ONLY.
4. POWER AND SIGNAL CAN BE RUN SEPARATELY IF DESIRED.
5. THE ENCLOSURE OF THIS PRODUCT IS NOT FOR WASHDOWN OR OUTSIDE APPLICATION.
6. VORTEK ENCLOSURE IS NOT TO BE USED AS A JUNCTION BOX.
7. SHIELD DRAIN WIRE SHOULD TERMINATE IN ACCORDANCE WITH THE REQUIREMENTS OF THE RECIEVING DEVICE.

**CAUTION!**

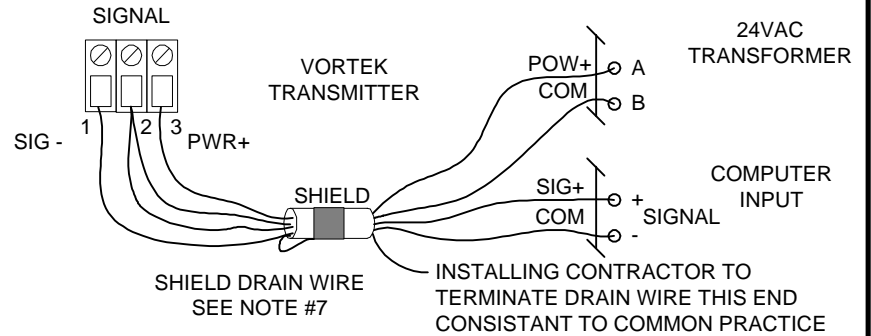
CAUTIONS MUST BE TAKEN WHEN USING A COMMON POWER SUPPLY OR DAMAGE MAY OCCUR. THE COMMON (TERMINAL 2) OF THE VORTEK SD TRANSMITTER IS NOT ISOLATED FROM THE POWER SOURCE. THIS MAY CAUSE PROBLEMS WITH SOME DDC SYSTEMS OR OTHER DEVICES IF THEY ARE ALL POWERED FROM THE SAME POWER SUPPLY. TEK-AIR STRONGLY RECOMMENDS USING A DEDICATED POWER SUPPLY OR TRANSFORMER FOR THE VORTEK 2000 TRANSMITTERS. POLARITY SHOULD BE MAINTAINED TO AVOID SHORTING THE POWER SUPPLY.

**VORTEK TRANSMITTER  
TERMINAL BLOCK  
ON 2000 BOARD**



**WIRING FOR 15 TO 35 VDC**  
W/SHIELD AT DC COMMON

**VORTEK TRANSMITTER  
TERMINAL BLOCK  
ON 2000 BOARD**



**WIRING FOR 24 VAC**

OUTPUT SIGNAL	
■	4-20 MA
□	1-5 VDC
□	2-10 VDC



ENGINEERING DEPARTMENT  
41 EAGLE ROAD  
DANBURY, CT 06810  
(203) 791-1400 PHONE  
(203) 798-6534 FAX

**VORTEK 2000**  
STANDARD TRANSMITTER

**INSTALLATION DRAWING**  
WIRING & MOUNTING

REVISION: F

ECN:261

DWG NO.: WD-2

REVISION DATE: 1/8/99

DRAWN BY:TLH

FILENAME:WD2000

JOB NO.: