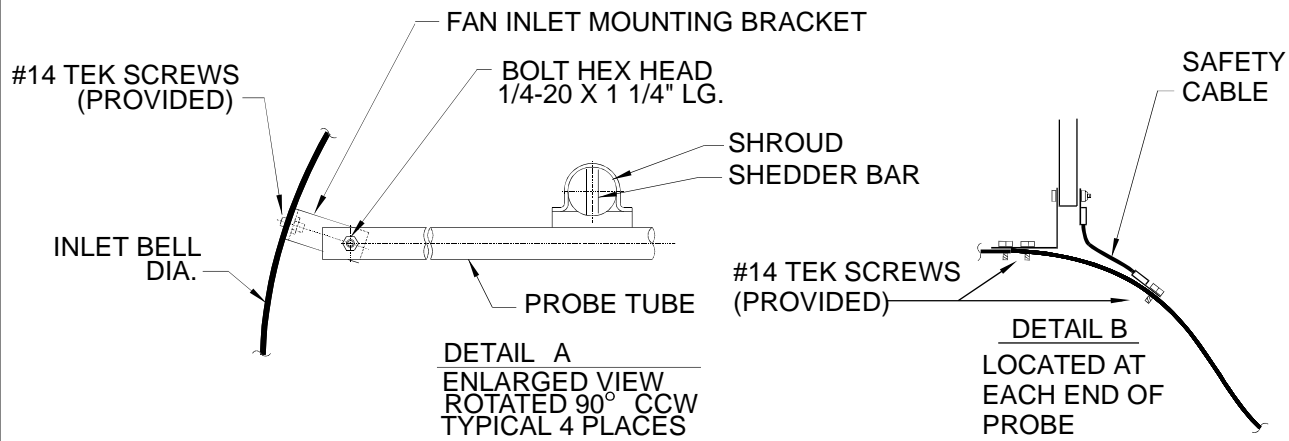
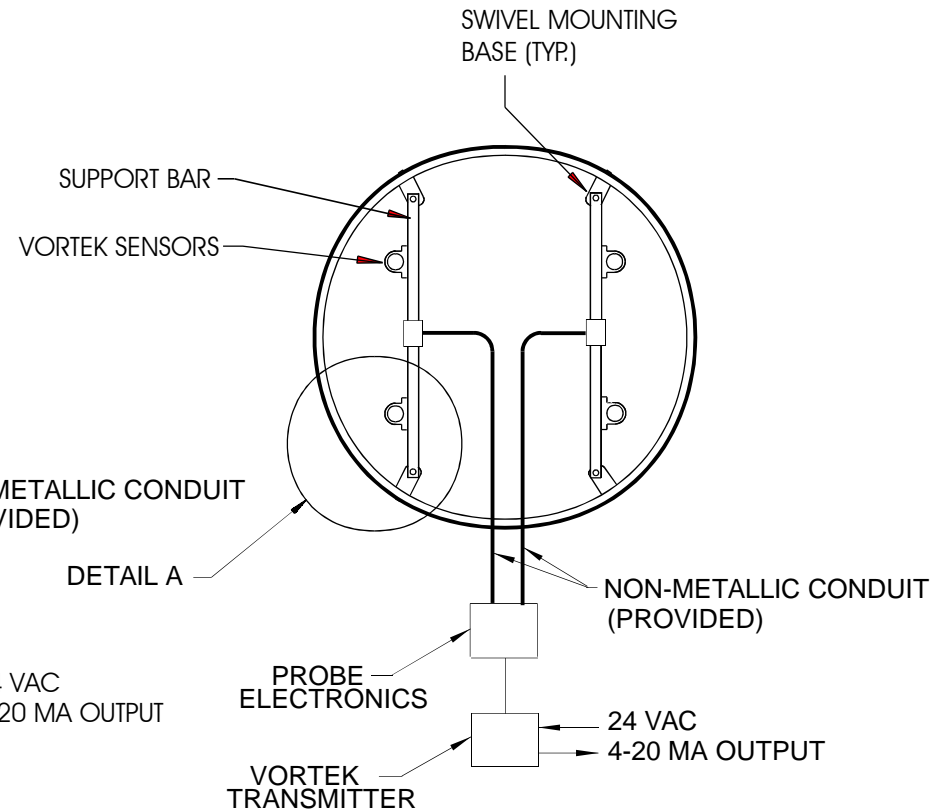
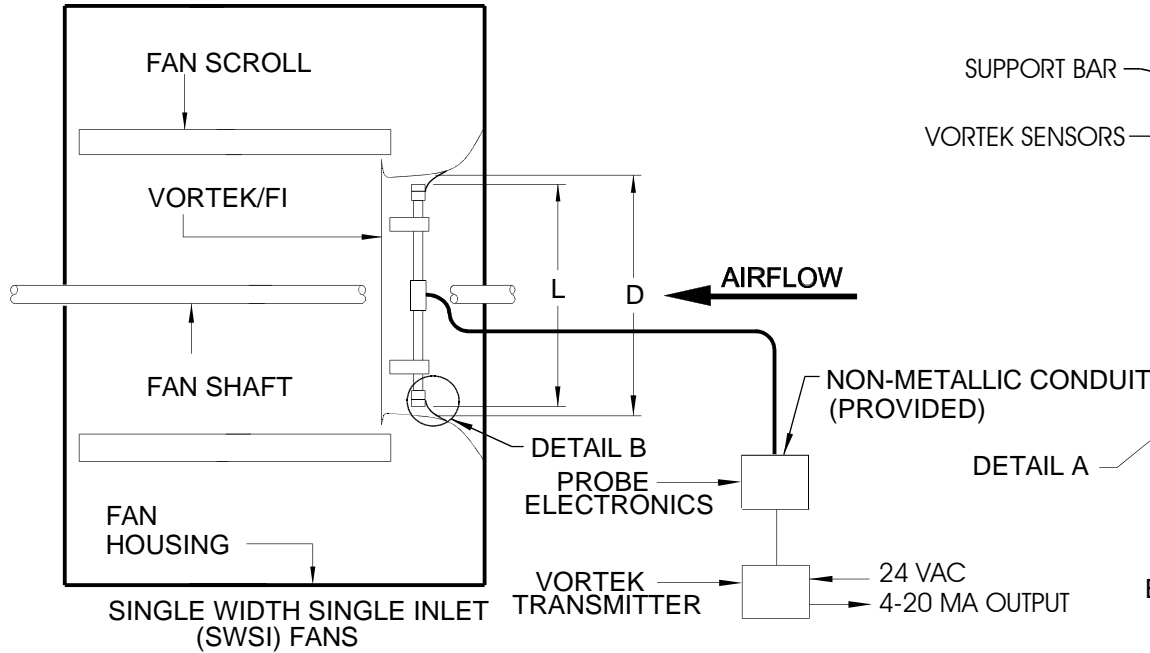


CENTRIFUGAL FAN



NOTES:

1. USE LOCTITE ON MOUNTING BOLTS WHEN INSTALLING UNIT.

MATERIALS OF CONSTRUCTION

- PROBE TUBE: EXTRUDED ALUMINUM, ANODIZED
- SENSOR SHROUD: ANODIZED ALUMINUM
- SENSOR SHEDDER BAR: ABS
- SENSOR CLAMP: POLYETHYLENE
- MOUNTING BRACKET: GALVANIZED STEEL
- BOLT & NUTS: ZINC COATED STEEL



Engineering Department
41 Eagle Road
Danbury, CT 06810
(203) 791-1400 Phone
(203) 798-6534 Fax

VT-7200
VorTek, Fan Inlet

Installation Drawing
Centrifugal (SWSI)

Revision Letter: A

Revision Date: 3/20/98

Filename: VT7200-2X2

Dwg. No.: V-7B

Drawn By: NKN

Job No.: