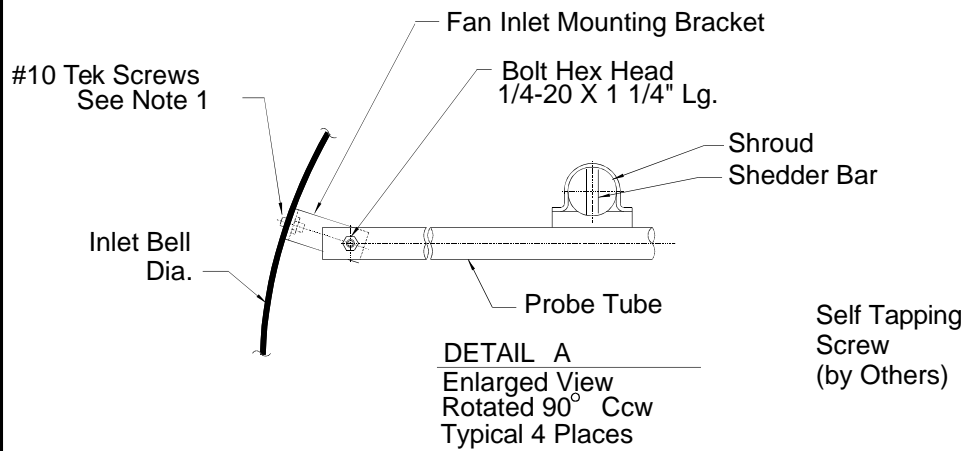
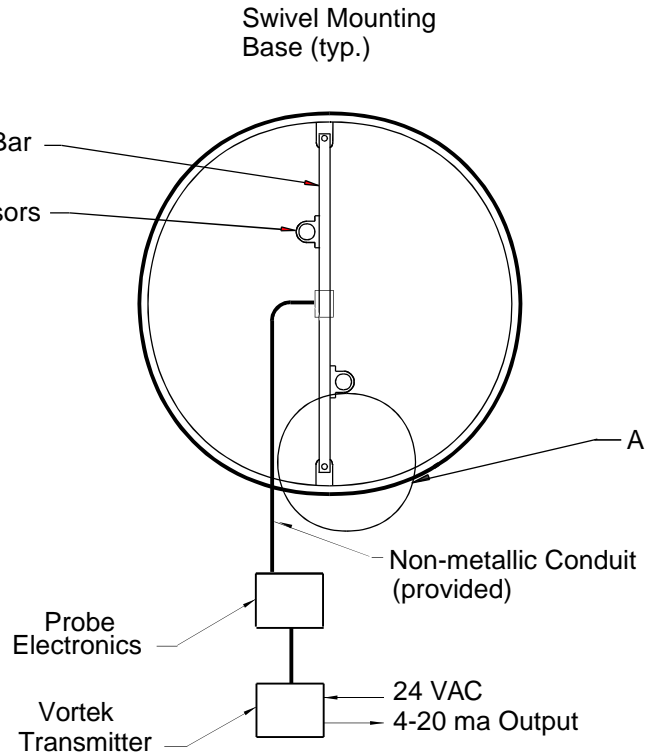
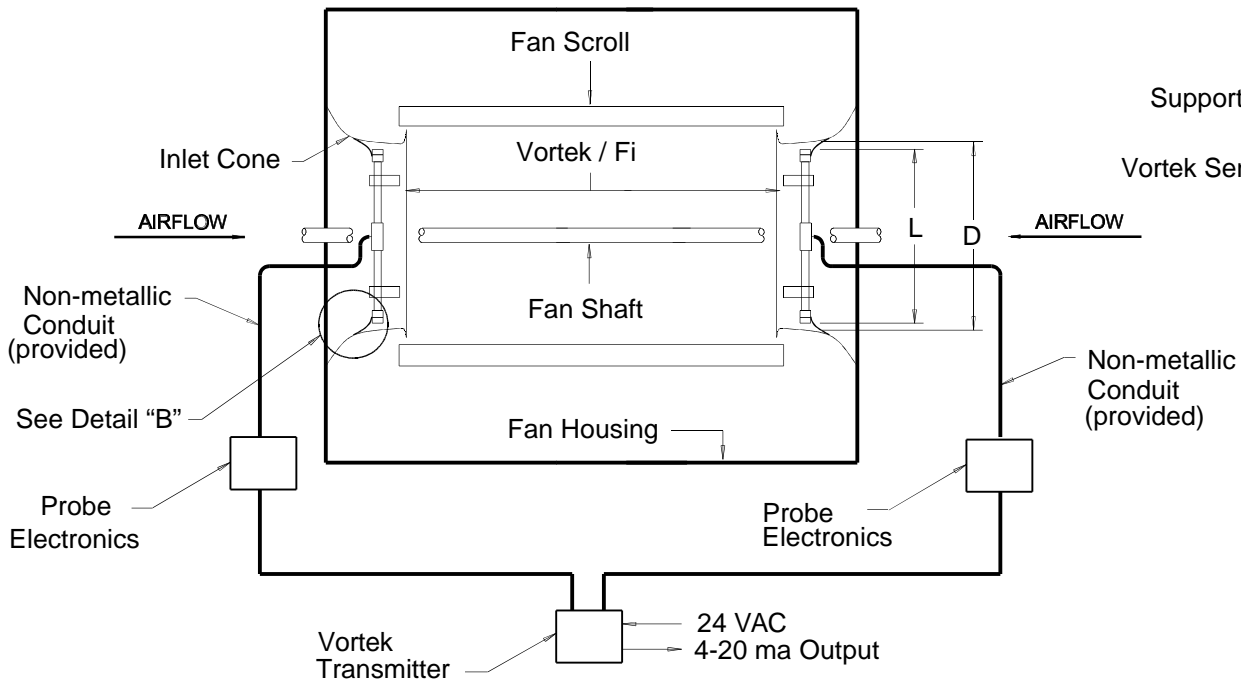


# CENTRIFUGAL FAN



**NOTES:**

1. Use Loctite On Mounting Bolts When Installing Unit.

**MATERIALS OF CONSTRUCTION**

Probe Tube: Extruded Aluminum, Anodized  
 Sensor Shroud: Anodized Aluminum  
 Sensor Shedder Bar: Abs  
 Sensor Clamp: Polyethylene  
 Mounting Bracket: Galvanized Steel  
 Bolt & Nuts: Zinc Coated Steel



Engineering Department  
 43 Beaver Brook Road  
 Danbury, CT 06810  
 (203) 791-1400 Phone  
 (203) 798-6534 Fax

**VT-7300**  
 VorTek, Fan Inlet

Installation Drawing  
 Centrifugal (DWDI)

|                       |              |
|-----------------------|--------------|
| Revision Letter: A    | Dwg No: V-7C |
| Revision Date: 4/2/97 | Drawn By: GV |
| Filename: VT7300-2X2  | Job No.:     |