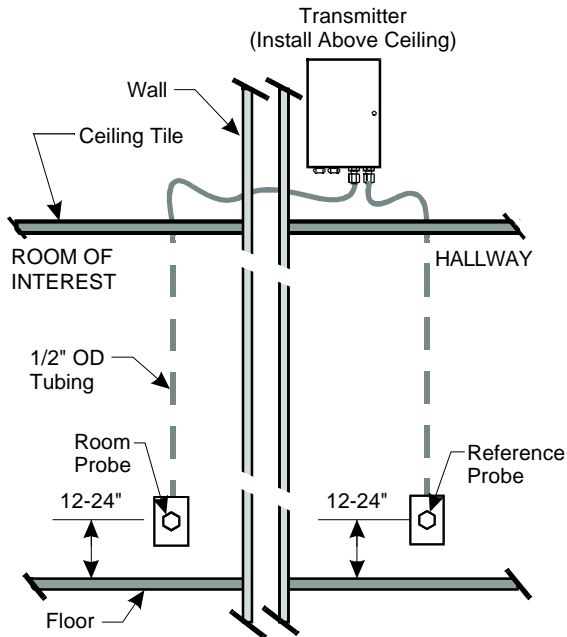


Check One:

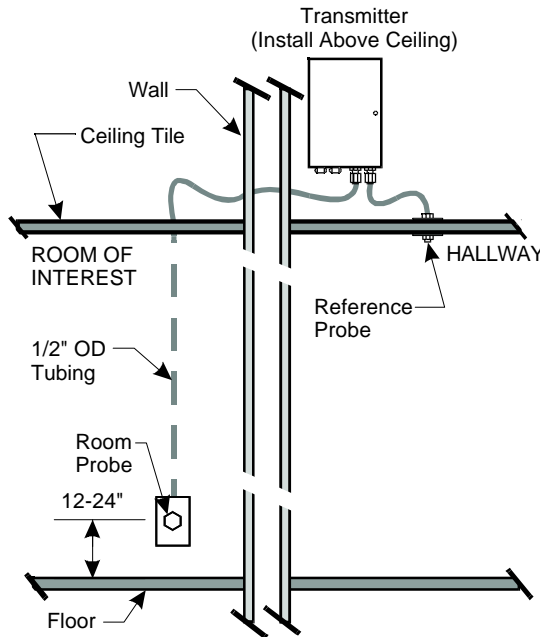
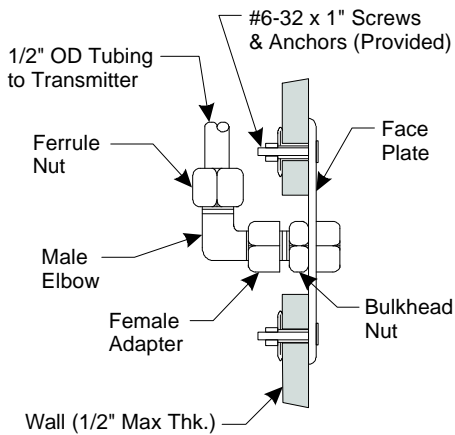
**2 Wall Mount Probes (Default)**

**1 Wall Mount Probe, 1 Ceiling Mount Probe**

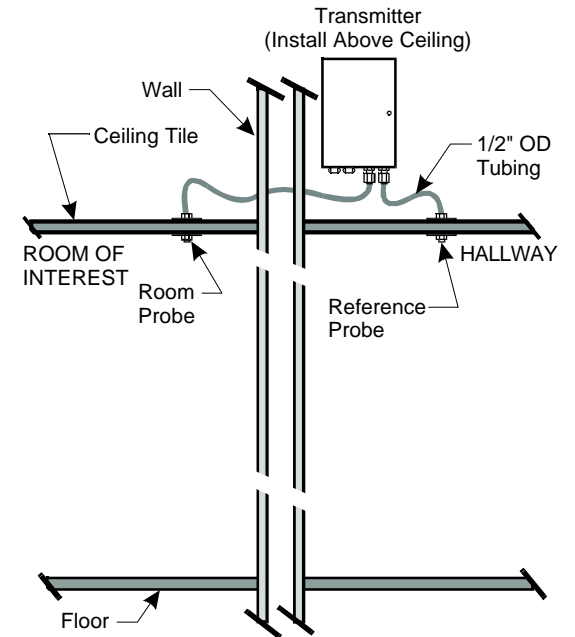
**2 Ceiling Mount Probes**



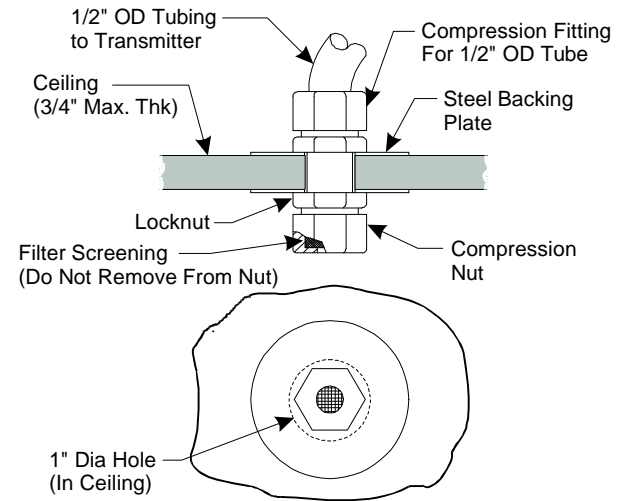
**Wall Mount Probe Detail**



**Note:** Above configuration shows Room Probe as Wall Mount & Reference Probe as Ceiling Mount. Using Ceiling Mount for Room & Wall Mount for Reference is also a valid option.



**Ceiling Mount Probe Detail**



**IMPORTANT!**  
DO NOT Install Probes Near Diffusers or Registers



Engineering Department  
41 Eagle Road  
Danbury, CT 06810  
(203) 791-1400 Phone  
(203) 798-6534 Fax

**ISO-TEK**  
Pressurization Monitor for  
Isolation Rooms and Labs

**Probe Drawing**  
For Use With Tek-Air Electronic Submittal  
Generation Packages

Revision Letter: B	Dwg #:
Revision Date: 3/4/98	Drawn By: LTLT
Filename: ISOPROBE.CDR	